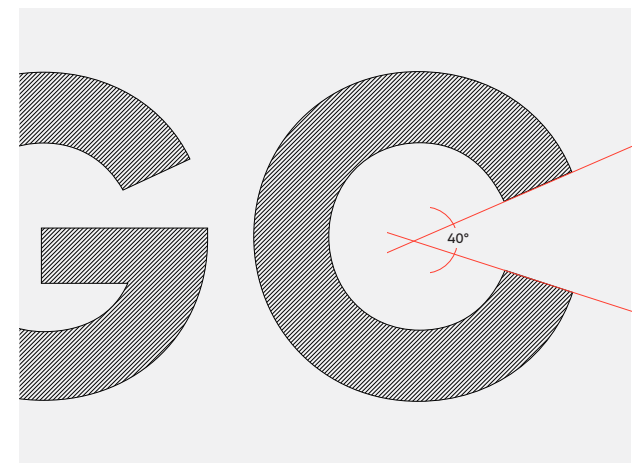
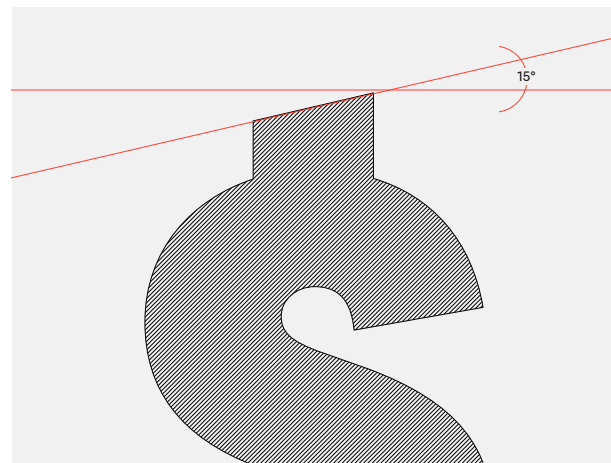
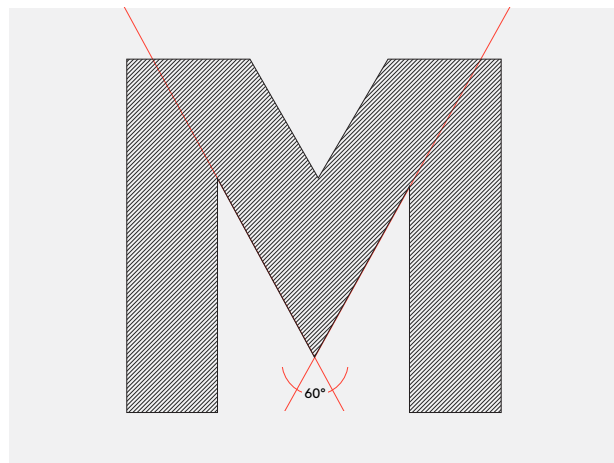
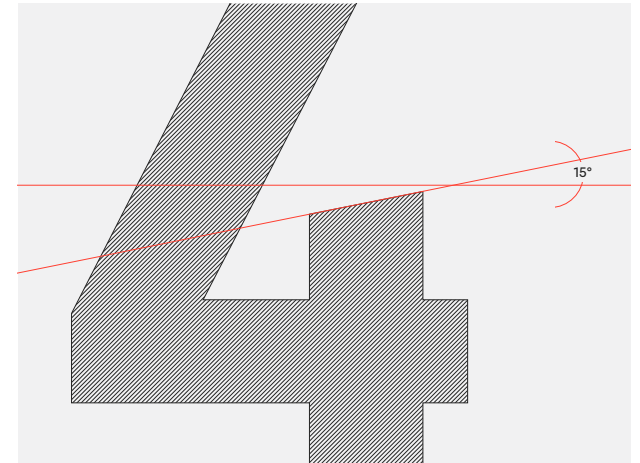
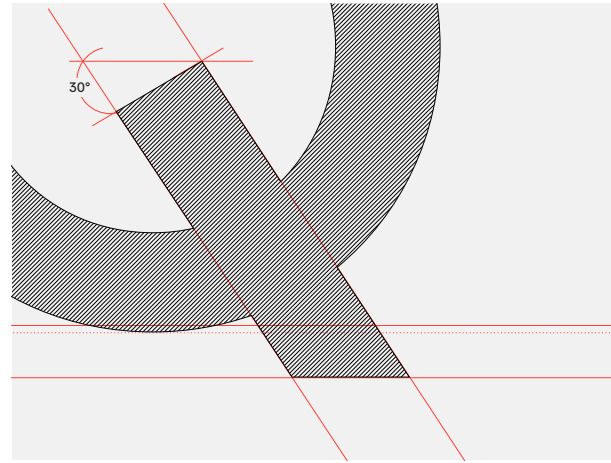
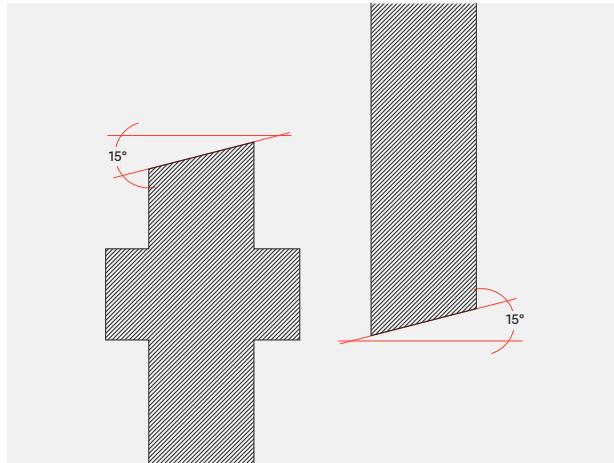


390 pt

Madioli

Construction details



Styles 37 pt

UltraThin

UltraThin Italic

Thin

Thin Italic

UltraLight

UltraLight Italic

Light

Light Italic

Regular

Regular Italic

Medium

Medium Italic

Bold

Bold Italic

Black

Black Italic

Thin 700 pt



UltraThin 500 pt

Girli

Number one and alternates — Black 450 pt



Regular 345 pt

E1 a b o

UltraThin 200 pt

Beattles

Regular Italic 200 pt

Rollings

Black Italic 170 pt

EUROPE

UltraLight 170 pt

AMERICA

Pure mathematics is the study of mathematical concepts independently of any application outside mathematics.

Sir Joseph Wilson Swan was an English physicist, chemist, and inventor. He is known as an independent early developer of a successful incandescent light bulb, and is the person responsible for developing and supplying the first incandescent lights used to illuminate homes and public buildings, including the Savoy Theatre, London, in 1881.

UltraThin 80 pt

Chevalley Shephard

Thin 80 pt

Andreotti Frankel

UltraLight 80 pt

Farrell Markushевич

Light 80 pt

Dawson Gärtner

Regular 80 pt

Golod Shafarevich

Medium 80 pt

Hahn Mazurkiewicz

Bold 80 pt

Eilenberg Zilber

Black 80 pt

Brunn Minkowski

UltraThin Italic 80 pt

Jacobson Morozov

Thin Italic 80 pt

Lickorish Wallace

UltraLight Italic 80 pt

Moore Aronszajn

Light Italic 80 pt

Krylov Bogolyubov

Regular Italic 80 pt

Robertson Seymour

Medium Italic 80 pt

Trombi Varadarajan

Bold Italic 80 pt

Szemeredi Trotter

Black Italic 80 pt

Phragmen Lindelof

UltraThin 150 pt

Gatehouse

100 pt

James Bjorken

48 pt

TREES SPRUCE UP AT EASTER
Why is conceptual art so tricky?

UltraThin Italic 150 pt

Baskerville

100 pt

Marcela Carena

48 pt

DEVELOPMENTS OF MOVEMENT
Innovative and incredible design

Thin 150 pt

Predators

100 pt

Jean Dalibard

48 pt

TRADITIONS FROM ALL AROUND
From Botticelli to Caravaggio

Thin Italic 150 pt

Refashion

100 pt

Joseph Fourier

48 pt

THE DISTRESSED DENIM TREND
Afghan traditional architecture

UltraLight 150 pt

Structural

100 pt

Howard Georgi

48 pt

FUSION OF SULPHUR AND GOLD
A recipe for making the stones

UltraLight 45 pt

Living on a compass Another year of love

30 pt

DERIVE GENERAL RESULTS About the nature of matter The girl from France was 24

20 pt

The intellectual basis of the Renaissance was its version of humanism, derived from the concept of Roman Humanitas and the rediscovery of classical Greek philosophy.

12 pt

The circumference of a circle is the distance around it, but if, as in many elementary treatments, distance is defined in terms of straight lines, this can not be used as a definition. Under these circumstances, the circumference of a circle may be defined as the limit of the perimeters of inscribed regular polygons.

10 pt

The circumference of a circle is the distance around it, but if, as in many elementary treatments, distance is defined in terms of straight lines, this can not be used as a definition. Under these circumstances, the circumference of a circle may be defined as the limit of the perimeters of inscribed regular polygons as the number of sides increases without bound. The term circumference is used when measuring physical objects, as well as when considering abstract geometric forms.

8 pt

The circumference of a circle is the distance around it, but if, as in many elementary treatments, distance is defined in terms of straight lines, this can not be used as a definition. Under these circumstances, the circumference of a circle may be defined as the limit of the perimeters of inscribed regular polygons as the number of sides increases without bound. The term circumference is used when measuring physical objects, as well as when considering abstract geometric forms. Circumference is used by some authors to denote the perimeter of an ellipse. There is no general formula for the circumference of an ellipse in terms of the semi-geometric.

UltraLight Italic 150 pt

Creations

100 pt

Serge Haroche

48 pt

SPONTANEOUS CREATIONS
A snake twisting round the tree

UltraLight Italic 45 pt

*72 people were here
The earliest example*

30 pt

*IN AN EXPANDING UNIVERSE
Alternatives to general relativity
Have changed over the years*

20 pt

Petrarch spent his early childhood in the village of Incisa, near Florence. He spent much of his early life at Avignon and nearby Carpentras, where his family moved to follow Pope.

12 pt

The circumference of a circle is the distance around it, but if, as in many elementary treatments, distance is defined in terms of straight lines, this can not be used as a definition. Under these circumstances, the circumference of a circle may be defined as the limit of the perimeters of inscribed regular polygons.

10 pt

The circumference of a circle is the distance around it, but if, as in many elementary treatments, distance is defined in terms of straight lines, this can not be used as a definition. Under these circumstances, the circumference of a circle may be defined as the limit of the perimeters of inscribed regular polygons as the number of sides increases without bound. The term circumference is used when measuring physical objects, as well as when considering abstract geometric forms.

8 pt

The circumference of a circle is the distance around it, but if, as in many elementary treatments, distance is defined in terms of straight lines, this can not be used as a definition. Under these circumstances, the circumference of a circle may be defined as the limit of the perimeters of inscribed regular polygons as the number of sides increases without bound. The term circumference is used when measuring physical objects, as well as when considering abstract geometric forms. Circumference is used by some authors to denote the perimeter of an ellipse. There is no general formula for the circumference of an ellipse in terms of the semi-geometric.

Light 150 pt

Dedicator

100 pt

Werner Israel

48 pt

FINAL PART OF THE PROCESS
Discover traditional buildings

Light 45 pt

Bridge over freedom Model of consistence

30 pt

\$2,417,592.21 OF INVESTMENT There are some rules to follow Modifies a unit of measurement

20 pt

It is headed by a mayor sindaco assisted by a legislative body, the consiglio comunale communal council, and an executive body, the giunta comunale communal committee.

12 pt

The circumference of a circle is the distance around it, but if, as in many elementary treatments, distance is defined in terms of straight lines, this can not be used as a definition. Under these circumstances, the circumference of a circle may be defined as the limit of the perimeters of inscribed regular polygons.

10 pt

The circumference of a circle is the distance around it, but if, as in many elementary treatments, distance is defined in terms of straight lines, this can not be used as a definition. Under these circumstances, the circumference of a circle may be defined as the limit of the perimeters of inscribed regular polygons as the number of sides increases without bound. The term circumference is used when measuring physical objects, as well as when considering abstract geometric forms.

8 pt

The circumference of a circle is the distance around it, but if, as in many elementary treatments, distance is defined in terms of straight lines, this can not be used as a definition. Under these circumstances, the circumference of a circle may be defined as the limit of the perimeters of inscribed regular polygons as the number of sides increases without bound. The term circumference is used when measuring physical objects, as well as when considering abstract geometric forms. Circumference is used by some authors to denote the perimeter of an ellipse. There is no general formula for the circumference of an ellipse in terms of the semi-geometric.

Light Italic 150 pt

Birdfarms

100 pt

Edwin Jaynes

48 pt

GREAT PRIVATE RESIDENCES
The Prince of Wales did not come

Light Italic 45 pt

*425,234 participants
Like a smooth heart*

30 pt

*THE FOLLOWING SITUATIONS
She broke the long jump record
Will clear up possible confusion*

20 pt

The pass connects Val Cenis in France in the northwest with Susa in Italy in the southeast. In the Middle Ages, pilgrims passing through Moncenisio and Susa Valley came to Turin.

12 pt

The circumference of a circle is the distance around it, but if, as in many elementary treatments, distance is defined in terms of straight lines, this can not be used as a definition. Under these circumstances, the circumference of a circle may be defined as the limit of the perimeters of inscribed regular polygons.

10 pt

The circumference of a circle is the distance around it, but if, as in many elementary treatments, distance is defined in terms of straight lines, this can not be used as a definition. Under these circumstances, the circumference of a circle may be defined as the limit of the perimeters of inscribed regular polygons as the number of sides increases without bound. The term circumference is used when measuring physical objects, as well as when considering abstract geometric forms.

8 pt

The circumference of a circle is the distance around it, but if, as in many elementary treatments, distance is defined in terms of straight lines, this can not be used as a definition. Under these circumstances, the circumference of a circle may be defined as the limit of the perimeters of inscribed regular polygons as the number of sides increases without bound. The term circumference is used when measuring physical objects, as well as when considering abstract geometric forms. Circumference is used by some authors to denote the perimeter of an ellipse. There is no general formula for the circumference of an ellipse in terms of the semi-geometric.

Regular 150 pt

Elemental

100 pt

Heinrich Kayser

48 pt

BRANCHES OF MATHEMATICS
Range of human experiences

Regular 45 pt

1810 was a good year
Gravitational waves

30 pt

RENEWED PUBLIC INTEREST
This is part of a technical report
Almost every theory described

20 pt

The RN 6 runs parallel for a long portion of its route to the autoroute. As a result portions of the road have now been downgraded as the 306 and RD 906 the reclassification.

12 pt

The circumference of a circle is the distance around it, but if, as in many elementary treatments, distance is defined in terms of straight lines, this can not be used as a definition. Under these circumstances, the circumference of a circle may be defined as the limit of the perimeters.

10 pt

The circumference of a circle is the distance around it, but if, as in many elementary treatments, distance is defined in terms of straight lines, this can not be used as a definition. Under these circumstances, the circumference of a circle may be defined as the limit of the perimeters of inscribed regular polygons as the number of sides increases without bound. The term circumference is used when measuring physical objects, as well as when considering abstract geometric forms.

8 pt

The circumference of a circle is the distance around it, but if, as in many elementary treatments, distance is defined in terms of straight lines, this can not be used as a definition. Under these circumstances, the circumference of a circle may be defined as the limit of the perimeters of inscribed regular polygons as the number of sides increases without bound. The term circumference is used when measuring physical objects, as well as when considering abstract geometric forms. Circumference is used by some authors to denote the perimeter of an ellipse. There is no general formula for the circumference of an ellipse in terms of the semi-geometric.

Regular Italic 150 pt

Goldstone

100 pt

Archibald Low

48 pt

CALCULUS & LINEAR ALGEBRA
Geometry in its classical sense

Regular Italic 45 pt

Answered questions Propagation of light

30 pt

THE ORIGINAL 1983 VERSION Accordance with the equation Every particle attracts others

20 pt

A controlled access highway is a type of highway which has been designed for high speed vehicular traffic, with all traffic flow ingress and egress regulated.

12 pt

The circumference of a circle is the distance around it, but if, as in many elementary treatments, distance is defined in terms of straight lines, this can not be used as a definition. Under these circumstances, the circumference of a circle may be defined as the limit of the perimeters.

10 pt

The circumference of a circle is the distance around it, but if, as in many elementary treatments, distance is defined in terms of straight lines, this can not be used as a definition. Under these circumstances, the circumference of a circle may be defined as the limit of the perimeters of inscribed regular polygons as the number of sides increases without bound. The term circumference is used when measuring physical objects, as well as when considering abstract geometric forms.

8 pt

The circumference of a circle is the distance around it, but if, as in many elementary treatments, distance is defined in terms of straight lines, this can not be used as a definition. Under these circumstances, the circumference of a circle may be defined as the limit of the perimeters of inscribed regular polygons as the number of sides increases without bound. The term circumference is used when measuring physical objects, as well as when considering abstract geometric forms. Circumference is used by some authors to denote the perimeter of an ellipse. There is no general formula for the circumference of an ellipse in terms of the semi-geometric.

Medium 150 pt

Handbook

100 pt

Albert Einstein

48 pt

COMPUTER MATH PROCESSING
Questions of the relative position

Medium 45 pt

Efficient mechanism He had only 60 cents

30 pt

ABSOLUTE SPACE AND TIME Was proportional to the square To calculate the magnitudes

20 pt

Commonly known as the Interstate Highway System, is a network of controlled access highways that forms part of the National Highway System in the United States.

12 pt

The circumference of a circle is the distance around it, but if, as in many elementary treatments, distance is defined in terms of straight lines, this can not be used as a definition. Under these circumstances, the circumference of a circle may be defined as the limit of the perimeters.

10 pt

The circumference of a circle is the distance around it, but if, as in many elementary treatments, distance is defined in terms of straight lines, this can not be used as a definition. Under these circumstances, the circumference of a circle may be defined as the limit of the perimeters of inscribed regular polygons as the number of sides increases without bound. The term circumference is used when measuring physical objects, as well as when considering abstract geometric forms.

8 pt

The circumference of a circle is the distance around it, but if, as in many elementary treatments, distance is defined in terms of straight lines, this can not be used as a definition. Under these circumstances, the circumference of a circle may be defined as the limit of the perimeters of inscribed regular polygons as the number of sides increases without bound. The term circumference is used when measuring physical objects, as well as when considering abstract geometric forms. Circumference is used by some authors to denote the perimeter of an ellipse. There is no general formula for the circumference of an ellipse in terms of the semi-geometric.

Medium Italic 150 pt

Landsides

100 pt

Peter Mansfield

48 pt

WHAT IT LOOKS LIKE TODAY
Using techniques of real analysis

Medium Italic 45 pt

Behind quiet people Rhythm of the axiom

30 pt

THE PLANE ARRIVED AT 16:45 An excellent approximation The main influence were you

20 pt

The development of the Commercial Resupply Services vehicles began in 2006 with the purpose of creating American commercially operated uncrewed cargo vehicles.

12 pt

The circumference of a circle is the distance around it, but if, as in many elementary treatments, distance is defined in terms of straight lines, this can not be used as a definition. Under these circumstances, the circumference of a circle may be defined as the limit of the perimeters.

10 pt

The circumference of a circle is the distance around it, but if, as in many elementary treatments, distance is defined in terms of straight lines, this can not be used as a definition. Under these circumstances, the circumference of a circle may be defined as the limit of the perimeters of inscribed regular polygons as the number of sides increases without bound. The term circumference is used when measuring physical objects, as well as when considering abstract geometric forms.

8 pt

The circumference of a circle is the distance around it, but if, as in many elementary treatments, distance is defined in terms of straight lines, this can not be used as a definition. Under these circumstances, the circumference of a circle may be defined as the limit of the perimeters of inscribed regular polygons as the number of sides increases without bound. The term circumference is used when measuring physical objects, as well as when considering abstract geometric forms. Circumference is used by some authors to denote the perimeter of an ellipse. There is no general formula for the circumference of an ellipse in terms of the semi-geometric.

Bold 150 pt

Mandolins

100 pt

Emmy Noether

48 pt

INTUITIVELY APPEALING AXIOMS
Painter responsible for pointilism

Bold 45 pt

I start to daydream 350 former players

30 pt

MEN THAT BECAME FAMOUS Attracted towards the planets Theories were not immediate

20 pt

This separation also lets the orbital module be customized to the mission with less risk to the life-critical descent module. The convention of orientation in a micro G environment.

12 pt

The circumference of a circle is the distance around it, but if, as in many elementary treatments, distance is defined in terms of straight lines, this can not be used as a definition. Under these circumstances, the circumference of a circle may be defined as the limit of the perimeters.

10 pt

The circumference of a circle is the distance around it, but if, as in many elementary treatments, distance is defined in terms of straight lines, this can not be used as a definition. Under these circumstances, the circumference of a circle may be defined as the limit of the perimeters of inscribed regular polygons as the number of sides increases without bound. The term circumference is used when measuring physical objects, as well as when geometric forms.

8 pt

The circumference of a circle is the distance around it, but if, as in many elementary treatments, distance is defined in terms of straight lines, this can not be used as a definition. Under these circumstances, the circumference of a circle may be defined as the limit of the perimeters of inscribed regular polygons as the number of sides increases without bound. The term circumference is used when measuring physical objects, as well as when considering abstract geometric forms. Circumference is used by some authors to denote the perimeter of an ellipse. There is no general formula for the circumference of an ellipse in terms of the semi-geometric.

Bold Italic 150 pt

Notations

100 pt

Nicole Oresme

48 pt

***WITH THE EXPERIMENTAL DATA
Gravitation in modern physics***

Bold Italic 45 pt

***Or look into her eyes
Further releases here***

30 pt

***NEED ANOTHER 120 BOTTLES
Determine the speed of waves
Calculate diameter of the Sun***

20 pt

***There is a large variety of other sources that
define LEO in terms of altitude. The altitude
of an object in an elliptic orbit and scan vary
significantly along the orbit.***

12 pt

***The circumference of a circle is the distance
around it, but if, as in many elementary treatments,
distance is defined in terms of straight lines,
this can not be used as a definition. Under these
circumstances, the circumference of a circle may
be defined as the limit of the perimeters.***

10 pt

***The circumference of a circle is the distance around it, but
if, as in many elementary treatments, distance is defined in
terms of straight lines, this can not be used as a definition.
Under these circumstances, the circumference of a circle may
be defined as the limit of the perimeters of inscribed regular
polygons as the number of sides increases without bound.
The term circumference is used when measuring physical
objects, as well as when abstract geometric forms.***

8 pt

***The circumference of a circle is the distance around it, but if, as in many
elementary treatments, distance is defined in terms of straight lines, this can
not be used as a definition. Under these circumstances, the circumference
of a circle may be defined as the limit of the perimeters of inscribed
regular polygons as the number of sides increases without bound. The term
circumference is used when measuring physical objects, as well as when
considering abstract geometric forms. Circumference is used by some
authors to denote the perimeter of an ellipse. There is no general formula for
the circumference of an ellipse in terms of the semi-geometric.***

Black 150 pt

Overclock

100 pt

Roger Penrose

48 pt

ASTROPHYSICAL IMPLICATIONS
The magic of Versailles gardens

Black Italic 150 pt

Isostatics

100 pt

Franz Aepinus

48 pt

WITH EXTRAORDINARY BEAUTY
Slow motion computer simulation

A B C D E F G H I J K L M N

O P Q R S T U V W X Y Z

a b c d e f g h i j k l m n

o p q r s t u v w x y z

0 1 2 3 4 5 6 7 8 9

Complete character set — Regular 24 pt

ABCDEFGHIJKLMNOPQRSTUVWXYZ
abcdefghijklmnopqrstuvwxyz 0123456789

Diacritics

À Á Â Ã Ä Å Æ Ç È É Ê Ë Ì Í Î Ï Ñ Ò Ó Ô Õ Ö Ø Ù Ú Û Ü Ý Þ ß à á â ã ä å æ ç è é ê ë ì í î ï ñ ò ó ô õ ö ø ù ú û ü ý þ ß

Ligatures

Alternates

ffiflffiffift 11MQQajjtt\$çt‡

Miscellaneous

0123456789 \$£€¥ƒçFr%%o+-=÷×<>±≤≥≠ πΠ∂√Σ∫∠ΩΔμ|e
@&()[]{}/\\|;?;!...--—∞«»⟨⟩#©®™°*†‡§¶|^~_°.,;:…“””„

Fractions

0123456789 0123456789 0123456789 0123456789 1/3 2/3 1/5 2/5 3/5 4/5 1/6 5/6 1/8 3/8 5/8 7/8

Open type features — Default

Alternate SS01

Alternate SS02

01 Eject

01 Eject

01 Eject

QUALM

QUALM

QUALM

7\$ 6.5¢

7\$ 6.5¢

†A2 ‡B2

†A1 ‡B2

Open type features — Default

Bonfires
Influence

Standard ligatures

Bonfires
Influence

Default

Different
Officials
Bafflers

Discretionary ligatures

Different
Officials
Bafflers

Open type features — Default

3/4 Kg

Fractions

³/₄ Kg

Default

H12345

Numerator

H¹²³⁴⁵

Denominator

H₁₂₃₄₅

Default

H58627

Superior

H⁵⁸⁶²⁷

Inferior

H₅₈₆₂₇

About the font — 9 pt

Majorant is a geometric sans serif interpreted from a contemporary point of view. Its wide range of weights makes it a multipurpose family. The extreme weights work as a display typeface, from the mathematical rigour of the UltraThin to the expressive refinement of the Black. Thanks to the several alternates included, the font offers multiple personalities. From sharp and audacious in the default version, to the soft and classic in the stylistic sets.

Languages — 9 pt

Afrikaans, Albanian, Basque, Bosnian, Bulgarian, Catalan, Croatian, Czech, Danish, Dutch, English, Esperanto, Estonian, Filipino, Finnish, French, Galician, German, Hungarian, Icelandic, Indonesian, Irish, Italian, Javanese, Kurdish, Latin, Latvian, Lithuanian, Malay, Maltese, Moldovan, Norwegian, Polish, Portuguese, Romanian, Scottish Gaelic, Serbian, Slovak, Slovenian, Somali, Spanish, Suahili, Swedish, Tagalog, Turkish, Welsh, Zulu & more.

Licenses — 9 pt

Desktop For use on a desktop computer. Including the most common uses, both personal and commercial, for use in desktop applications such as Adobe Photoshop, Adobe InDesign and Microsoft Office. Desktop licenses are based on the number of computers in which the font will be installed.

Webfont For a website or web application. A webfont license allows to embed the font into a website, so that it can be displayed on any browser. The license is based on a monthly pageview allowance for the webfonts. One time fee, this license does not need to be renewed if the site remain within that monthly pageviews.

ePub For use on an electronic publication. The license allows to embed the font in an electronic publication such as digital books, magazines, newspapers. An ePub license is based on the number of publications in which the font is used and each issue counts as a separate publication.

App For a mobile app for iOS, Android or Windows Phone, the license allows to embed the font in the mobile application's code. Licenses are purchased based on the total number of different apps created.

Server For use on sites, web apps, or services that allow a non-licensed user to utilize the font to create a personalized product. This license is valid for one year and is renewed each year that the font remains in use. A font downloaded with this license cannot be used in Software as a Service.

Info — 9 pt**Release date**

March 2020

16 styles

UltraThin, UltraThin Italic, Thin, Thin Italic, UltraLight, UltraLight Italic, Light, Light Italic, Regular, Regular Italic, Medium, Medium Italic, Bold, Bold Italic, Black and Black Italic

Desktop formats

OpenType (OTF)

Web formats

Embedded OpenType (EOT)
Scalable Vector Graphics (SVG)
TrueType web (TTF)
Web Open Font (WOFF)
Web Open Font 2 (WOFF2)

100 pt

Majorant.